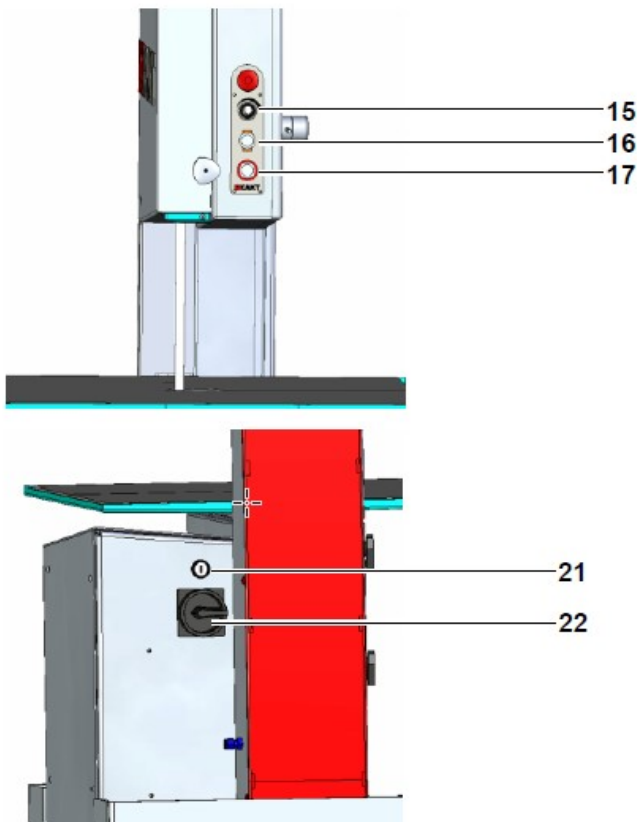


# Quick Start Guide:

## EXAKT 312 Pathology Saw

1. Turn on the main switch 22.
2. Press the acknowledge button 21.
3. Press the start button 16.
4. Set the cutting band speed control 15 to the desired speed.

Note: If the band is not moving, make sure the emergency stop (above the speed control) is released.



Learn how to operate your **EXAKT Pathology Saw**

